



**Length** 37.72 in (958 mm)  
**Width** 26.77 in (680 mm)  
**Height** 1.34 in (34 mm)  
**Frame** Aluminum  
**Weight** 7.6 kg



# Sunmodule®

## SW 80 poly RNA

### World class quality

SolarWorld produces the best products with the highest quality, manufactured according to German and US quality standards in fully-automated ISO 9001 and 14001 certified factories.

### Outstanding products

SolarWorld's modules were assessed by the ÖKO-TEST consumer magazine as "excellent".

### An experienced industry leader

With over 30 years of experience in off-grid solar applications – SolarWorld delivers top products and technical experience at the highest levels. Our modules are installed in over 100,000 Telecom/Industrial systems worldwide. Nobody else comes close.



### PERFORMANCE UNDER STANDARD TEST CONDITIONS (STC)\*

		SW 80
Maximum power	$P_{max}$	80 Wp
Open circuit voltage	$U_{oc}$	21.9 V
Maximum power point voltage	$U_{mpp}$	17.9 V
Short circuit current	$I_{sc}$	4.78 A
Maximum power point current	$I_{mpp}$	4.49 A

\*STC: 1000W/m<sup>2</sup>, 25°C, AM 1.5

### PERFORMANCE AT 800 W/m<sup>2</sup>, NOCT, AM 1.5

		SW 80
Maximum power	$P_{max}$	58.0 Wp
Open circuit voltage	$U_{oc}$	19.7 V
Maximum power point voltage	$U_{mpp}$	16.1 V
Short circuit current	$I_{sc}$	3.85 A
Maximum power point current	$I_{mpp}$	3.59 A

Minor reduction in efficiency under partial load conditions at 25°C: at 200W/m<sup>2</sup>, 95% (+/-3%) of the STC efficiency (1000 W/m<sup>2</sup>) is achieved.

### COMPONENT MATERIALS

Cells per module	36
Cell type	Poly crystalline
Cell dimensions	3.7 in x 6.14 in (94 mm x 156 mm)
Front	tempered glass (EN 12150)

### SYSTEM INTEGRATION PARAMETERS

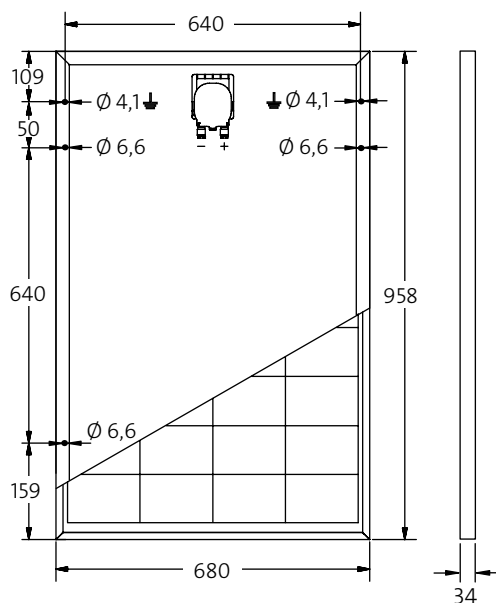
Maximum system voltage SC II	1000 V
Maximum reverse current	12 A
Increased snowload acc. to IEC 61215	5.4 kN/m <sup>2</sup>
Number of bypass diodes	2

### THERMAL CHARACTERISTICS

NOCT	46 °C
TC $I_{sc}$	0.034 %/K
TC $U_{oc}$	-0.34 %/K
TC $P_{mpp}$	-0.48 %/K

### ADDITIONAL DATA

Power tolerance	-5 / +10 %
Junction box	IP65
Maximum outer cable diameter	0.31 in (7.8 mm)
Maximum wire cross section	4 mm <sup>2</sup>



- Qualified, IEC 61215
- Safety tested, IEC 61730
- Periodic Inspection

