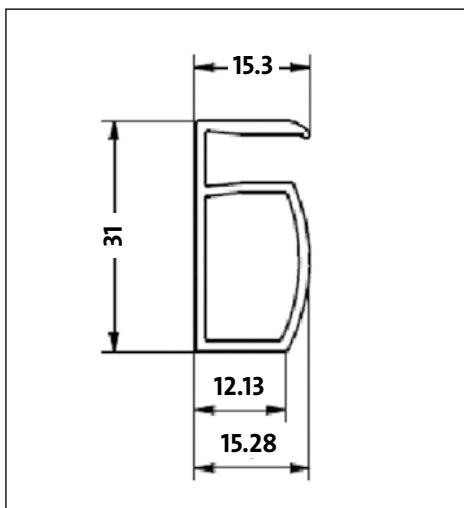


SUBJECT: CHANGES TO THE SUNMODULE™ FOR 2011

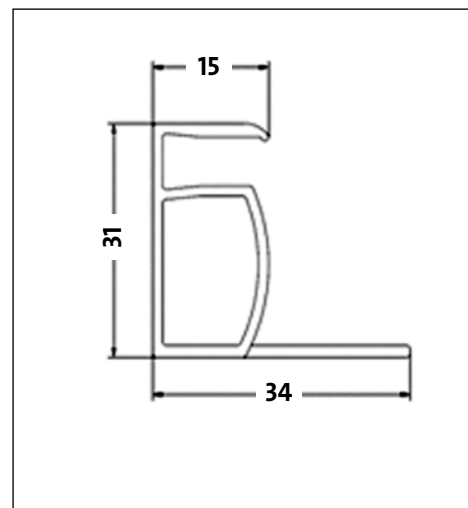
DATE: February 23, 2011

SolarWorld® is proud to announce that our Sunmodule™ Plus product will be enhanced with the following new features in 2011:

- **Anti-reflective glass:** SolarWorld will be changing the glass provided with the Sunmodule™ to an anti-reflective glass which will further improve our quality performance. The appearance of the anti-reflective glass is slightly different from previously offered Sunmodules. Care should be taken to avoid mixed shipments to individual installations where array visibility and appearance are essential. This change will begin with our poly-crystalline module product line in May 2011 and will be fully transitioned with all of our products by Q4 2011.
- **New Junction Box:** SolarWorld will be updating their current Sunbox® offered with the Sunmodule™ Plus which will have approximately 4" of additional cable length per cable. This new version of the Sunbox® is certified to UL 1703 SC II and IEC 61215. The complete specifications are included in the Sunbox® datasheet which is available on our website. This change began in December 2010 with our mono-crystalline product line and will be completed with all of our products in April 2011.
- **New frame design:** SolarWorld is offering two new innovative frame designs featuring an advanced corner connection. Both Version 2.0 and 2.5 frames will have a straight-forward grounding connection integrated into each corner and reduced in height to provide a more attractive appearance. The Version 2.5 frame has been adapted with a base flange which includes holes for mounting the module from the bottom of the frame and an additional grounding hole.



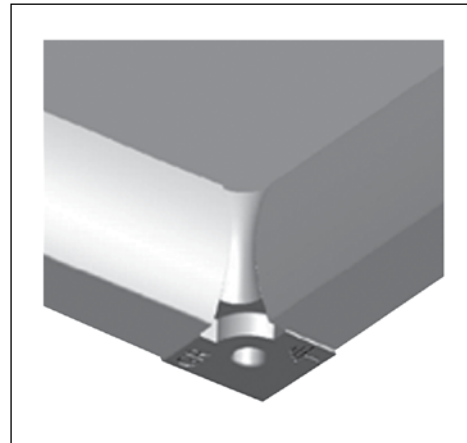
**Version 2.0 Frame (Cross section)**  
Available Today



**Version 2.5 Frame (Cross section)**  
Available May 2011



**New corner connection  
Front view**



**New corner connection  
Rear view**

**Important for all customers using third-party mounting technology:**

Both Version 2.0 and 2.5 frames are 31 mm tall instead of the previous 34 mm model. Version 2.5 can accommodate mounting systems that attach from the bottom of the frame. Version 2.0 can be modified in certain circumstances to be used with mounting structures that attach from the bottom. These bottom mounting options for the Version 2.0 frame are still under development and more information will be released on them when available. They are expected to launch in late Q2 of 2011.

Please feel free to contact your Customer Service representative ([customerservice@solarworldusa.com](mailto:customerservice@solarworldusa.com)) in the event of queries relating to the availability of modules with these new features. For technical questions, please feel free to contact our Technical Support representatives ([technicalsupport@solarworldusa.com](mailto:technicalsupport@solarworldusa.com)).